



COMBiLiFT

Customized Handling Solutions

C5000 – C6000

making short work of long loads



forward/reverse mode



carousel mode



sideward mode



three machines in one

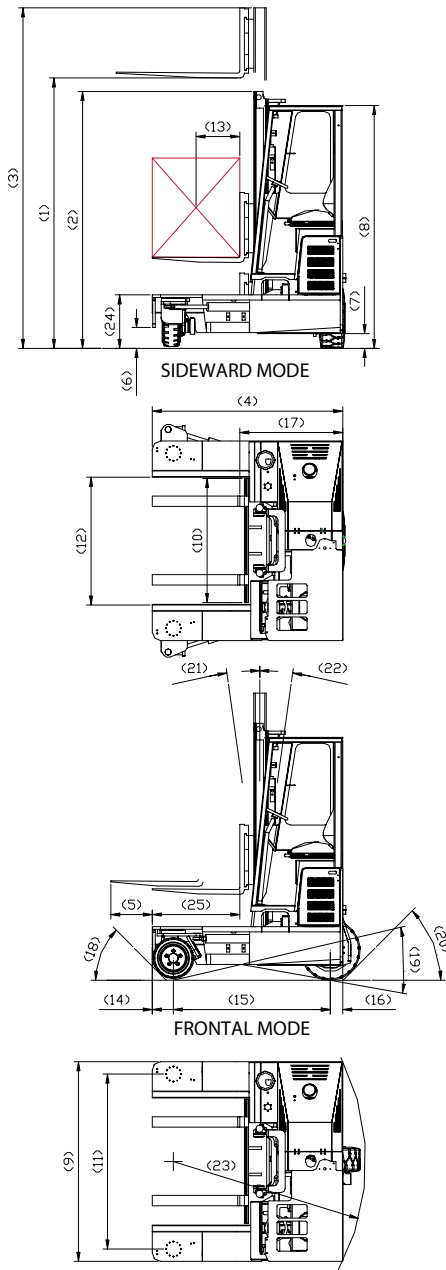
- counterbalance forklift - sideloader - aisle truck

www.COMBiLiFT.COM



SPECIFICATIONS

Models C5000 - C6000



REF	DESCRIPTION	C5000	C6000
1a	Max. Lift Height		159"
1b	Free Lift Height		0"
2	Height Mast Closed		104"
3	Max.(Mast raised)		188"
4	Overall Length	75"	89"
5	Mast Travel	33½"	47½"
6	Ground Clearance Under Mast		6"
7	Ground Clearance to Centre of Wheelbase		5"
8	Height Over Cab		92"
9	Width		76"
10	Outside Spread of Fork Arms		47"
11	Track Front		68"
12	Frame Opening		48"
13	Load Centre Distance	18"	24"
14	Overhang Front		8"
15	Wheel Base	60"	74"
16	Overhang Back		7"
17	Length From Face of Fork		43½"
18	Approach Angle		45°
19	Ramp Angle		17°
20	Departure Angle		45°
21	Forward Tilt		2°
22	Backward Tilt		4°
23	Minimum Outside Radius	60"	64"
24	Platform Height		19 ½"
25	Platform Length	31 ½"	45 ¼"
A	Capacity	5000 lbs	6000 lbs
B	Unladen Weight	10,350 lbs	10,800 lbs
C	Maximum Ground Speed		9 mph
D	Gradability		10%
E	VW Engine (Water Cooled)		65 HP
F	Electric's		12 Volt
G	Fork Section 1 ¾ x 6 x	31 ½"	45 ¼"
H	16 x 7 - 10.5 Front Tyre (Solid Rubber)		OD 16"/Width 7"
I	23 x 10 - 12 Rear Tyre (Super Elastic)		OD 23"/Width 10"
J	Standard Colour		Green & Grey
K	Suspension Seat		KAB Model 211

FEATURES INCLUDE:

- Multi - Direction Operation
- Load Sensing Steering
- 3 Wheel Hydrostatic Drive
- 4 Way lever Positioning of Wheels

COMBILIFT Ltd

Co.Monaghan
Ireland

Tel: 011 353 47 80500

Fax: 011 353 47 80501

COMBILIFT USA

303 Concord Street, Greensboro
North Carolina 27406

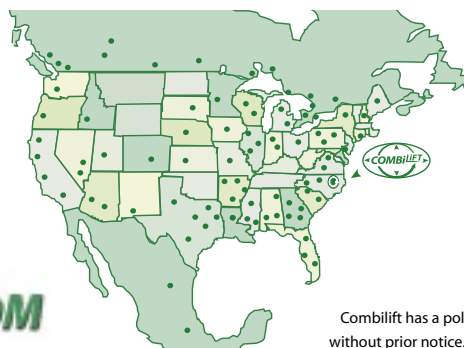
Toll Free: 1-877 COMBI 56

Tel: 336-378-8884

Fax: 336-378-8842

info@combilift.com

www.COMBILIFT.COM



Distributed By

Combilift has a policy of continuous product development and reserves the right to alter specifications without prior notice. Specifications and/or dimensions may vary from those illustrated in some countries.